

**LORC, LNH, LNL, LNQ AND LNX SERIES
OUTDOOR AIR-COOLED
REMOTE CONDENSERS**

STANDARD FEATURES

- **VERTICAL DISCHARGE**
- **WEATHER-TIGHT ELECTRICAL ENCLOSURE**
- **COMPUTER DESIGNED CONDENSER COILS**
- **FULL-FLOODING SYSTEM (-20 F CAPABILITY)**
- **FULLY ASSEMBLED ON HEAVY SKIDS**



CABINETS

Designed for outdoor installation and constructed from heavy embossed aluminum with galvanized steel frame and legs. All fans shown in this guide are single row wide with double wide as a non-stocked option. Cabinets can be set up in a vertical or horizontal discharge configuration.

FAN MOTORS

Continuous duty, permanently lubricated, sealed ball bearing with automatic reset thermal overload protection. Single and three phase models available on most units. Direct drive fan motors feature patent-pending "Service Ease"™ motor mount system.

DEFINITION OF "QUIET" AND "STANDARD" REMOTE CONDENSERS

It is strongly recommended that where there is a choice of STANDARD and QUIET models shown that the QUIET model be selected where low operating sound is necessary such as all hotel and motel applications or where operating noise can impact personal quality of life. LORC-850 (850RPM) and all LNQ (540RPM), LNL (830 RPM) and LNX (830 RPM) models are quiet models. The balance of the LORC and LNH models exhibit standard commercial operating sound characteristics. As a bonus these condensers are also the most energy efficient available.

CONDENSER COILS

Feature the patented "Floating Tube"™ designed to virtually eliminate tube sheet leaks. Internal baffles are provided between all fan cells. Condensers up to 3 fans in length use 3/8" diameter tube to minimize refrigerant charge. Condensers using 4 or more fans in length use

1/2" diameter to minimize refrigerant pressure drop. Condensers shown will utilize fin spacing between 8 and 12 fins per inch depending on the model. 18 gauge galvanized steel casing and .808 inch aluminum tube sheets with fins Mechanically expanded into 3/8" and 1/2" copper tubes.

FAN BLADES

Patented "QuietEdge"™ technology is used throughout for improved sound performance. Dynamically balanced propeller blades with painted steel hubs and two set screws spaced 90 degrees apart. Fan guards are close meshed steel wire with a vinyl coating.



ELECTRICAL ENCLOSURES

All models are equipped with a weather-tight electrical enclosure containing the contactor or contactors and terminal board. Units with two or more fans also have fan cycle controls in the electrical box.

CERTIFICATION

All remote condensers are tested to exacting safety standards and are listed by Underwriter Laboratories for United States and Canadian installations.

ELECTRICAL DATA AND GENERAL INFORMATION

DCA Model Numbers	Circuits(s)		Number of Connections	Connections		No. Of Fans	MCA / MOPD			Approx. Shipping Weight	Approx. Operating Weight
	S-Single	D-Dual		Supply O.D.	Return O.D.		208/230 1 PH	208/230 3 PH	460 3 PH		
LORC-1.5	S		1 each	5/8	5/8	1	15.0/15	15.0/15	15.0/15	96	77
LORC-2	S		1 each	7/8	5/8	1	15.0/15	15.0/15	15.0/15	96	77
LORC-3	S		1 each	7/8	5/8	1	15.0/15	15.0/15	15.0/15	96	81
LORC-4	S		1 each	7/8	5/8	1	15.0/15	15.0/15	15.0/15	135	125
LORC-5	S		1 each	1 1/8	7/8	1	15.0/15	15.0/15	15.0/15	320	195
LORC-5-850	S		1 each	1 1/8	7/8	1	15.0/15	N/A	N/A	320	195
LORC-8	S		1 each	1 1/8	7/8	1	15.0/15	15.0/15	15.0/15	390	280
LORC-8-850	S		1 each	1 1/8	7/8	1	3.5/15	N/A	N/A	390	280
LORC-10	S		1 each	1 3/8	1 1/8	2	15.0/15	15.0/15	15.0/15	520	475
LORC-10-850	S		1 each	1 3/8	1 1/8	2	15.0/15	N/A	N/A	520	475
LORC-12	S		1 each	1 3/8	1 1/8	2	15.0/15	15.0/15	15.0/15	520	495
LORC-12-850	S		1 each	1 3/8	1 1/8	2	6.3/15	N/A	N/A	520	495
LORC-14	S		1 each	1 3/8	1 1/8	2	15.0/15	15.0/15	15.0/15	650	540
LORC-14-850	S		1 each	1 3/8	1 1/8	2	6.3/15	N/A	N/A	650	540
LORC-16	S		1 each	1 3/8	1 1/8	2	15.0/15	15.0/15	15.0/15	680	575
LORC-16-850	S		1 each	1 3/8	1 1/8	2	6.3/15	N/A	N/A	680	575
LORC-21	S		1 each	2 1/8	1 3/8	3	15.0/15	15.0/15	15.0/15	716	600
LORC-21	D		2 each	1 5/8	1 1/8	3	15.0/15	15.0/15	15.0/15		
LORC-21-850	S		1 each	2 1/8	1 3/8	3	9.1/15	N/A	N/A	716	600
LORC-23	S		1 each	2 1/8	1 3/8	3	15.0/15	15.0/15	15.0/15	780	650
LORC-23-850	S		1 each	2 1/8	1 3/8	3	9.1/15	N/A	N/A	780	650
LORC-26	S		1 each	2 1/8	1 3/8	3	15.0/15	15.0/15	15.0/15	840	675
LORC-26	D		2 each	1 5/8	1 1/8	3	15.0/15	15.0/15	15.0/15		
LORC-26-850	S		1 each	2 1/8	1 3/8	3	9.1/15	N/A	N/A	840	675
LORC-26-850	D		2 each	1 5/8	1 1/8	3	9.1/15	N/A	N/A		
LNQ-S01-A005-10	S		1 each	1 3/8	1 3/8	1	N/A	15.0/15	15.0/15	460	350
LNQ-S01-A006-10	S		1 each	1 3/8	1 3/8	1	N/A	15.0/15	15.0/15	480	385
LNH-S01-A009-10	S		1 each	1 3/8	1 3/8	1	N/A	15.0/25	15.0/15	480	385
LNH-S02-A011-10	D		1 each	1 1/8	1 1/8	2	N/A	20.0/35	15.0/15	760	605
LNH-S02-A015-10	D		2 each	1 1/8	1 1/8	2	N/A	20.0/35	15.0/15	810	670
LNH-S02-A017-10	D		2 each	1 5/8	1 5/8	2	N/A	20.0/35	15.0/15	860	755
LNL-S03-A021-10	D		2 each	1 5/8	1 5/8	3	N/A	21.5/35	15.0/15	1170	1040
LNL-S03-A024-10	D		2 each	1 5/8	1 5/8	3	N/A	21.5/35	15.0/15	1240	1075
LNQ-S01-A006-10	S		1 each	1 3/8	1 3/8	1	N/A	15.0/15	15.0/15	460	350
LNQ-S01-A008-10	S		1 each	1 3/8	1 3/8	1	N/A	15.0/15	15.0/15	480	385
LNQ-S02-A010-10	S		1 each	1 3/8	1 3/8	2	N/A	15.0/20	15.0/15	760	605
LNQ-S02-A010-10	D		2 each	1 1/8	1 1/8	2	N/A	15.0/20	15.0/15		
LNQ-S02-A013-10	S		1 each	1 5/8	1 5/8	2	N/A	15.0/20	15.0/15	810	670
LNQ-S02-A013-10	D		2 each	1 3/8	1 3/8	2	N/A	15.0/20	15.0/15		
LNQ-S02-A015-10	D		2 each	1 5/8	1 5/8	2	N/A	15.0/20	15.0/15	860	755
LNQ-S03-A020-10	D		2 each	1 5/8	1 5/8	3	N/A	20.0/15	15.0/15	1170	1040
LNQ-S03-A023-10	D		2 each	1 5/8	1 5/8	3	N/A	20.0/15	15.0/15	1420	1290

**LORC, LNH, LNL, LNQ AND LNX SERIES
OUTDOOR AIR-COOLED CONDENSERS**

CONDENSER SELECTION GUIDE

DCA MODEL NUMBER	LINE SIZE (O.D.)		PHASE	AMBIENT MODEL		
	SUPPLY	RETURN		95°F	100°F	105°F
DCA 650Y / DCA 650YWH						
STANDARD	5/8"	3/8"	1	LORC-1.5	LORC-2	LORC-3
DCA 900Y / DCA 900YWH						
STANDARD	5/8"	3/8"	1&3	LORC-3	LORC-3	LORC-4
DCA 1500Y / DCA 1500YWH						
STANDARD	3/4"	1/2"	1	LORC-4	LORC-4	LORC-5
STANDARD	3/4"	1/2"	3	LORC-4	LORC-4	LORC-5
QUIET	3/4"	1/2"	1	LORC-5-850	LORC-5-850	LORC-8-850
QUIET	3/4"	1/2"	3	N/A	N/A	N/A
DCA 2000Y / DCA 2000YWH						
STANDARD	3/4"	1/2"	1	LORC-5	LORC-8	LORC-8
STANDARD	3/4"	1/2"	3	LORC-5	LNQ-S01-A005-10	LNQ-S01-A005-10
QUIET	3/4"	1/2"	1	N/A	LORC-8-850	LORC-8-850
QUIET	3/4"	1/2"	3	N/A	LNQ-S01-A005-10	LNQ-S01-A005-10
DCA 2500Y / DCA 2500YWH						
STANDARD	7/8"	1/2"	1	LORC-8	LORC-8	LORC-10
STANDARD	7/8"	1/2"	3	LNQ-S01-A005-10	LNQ-S01-A005-10	LNQ-S01-A005-10
QUIET	7/8"	1/2"	1	LORC-8-850	LORC-10-850	LORC-10-850
QUIET	7/8"	1/2"	3	LNQ-S01-A005-10	LNQ-S01-A005-10	LNQ-S01-A005-10
DCA 3000Y / DCA 3000YWH						
STANDARD	7/8"	5/8"	1	LORC-8	LORC-10	LORC-12
STANDARD	7/8"	5/8"	3	LNQ-S01-A005-10	LNQ-S01-A005-10	LNX-S01-A006-10
QUIET	7/8"	5/8"	1	LORC-10-850	LORC-10-850	LORC-14-850
QUIET	7/8"	5/8"	3	LNQ-S01-A005-10	LNQ-S01-A005-10	LNX-S01-A006-10
DCA 3300Y / DCA 3300YWH						
STANDARD	7/8"	5/8"	1	LORC-8	LORC-10	LORC-12
STANDARD	7/8"	5/8"	3	LNQ-S01-A005-10	LNX-S01-A006-10	LNX-S01-A006-10
QUIET	7/8"	5/8"	1	LORC-10-850	LORC-12-850	LORC-14-850
QUIET	7/8"	5/8"	3	LNQ-S01-A005-10	LNQ-S01-A006-10	LNX-S01-A006-10
DCA 3600Y / DCA 3600YWH						
STANDARD	1 1/8"	5/8"	1	LORC-10	LORC-12	LORC-12
STANDARD	1 1/8"	5/8"	3	LNX-S01-A006-10	LNX-S01-A006-10	LNX-S01-A006-10
QUIET	1 1/8"	5/8"	1	LORC-10-850	LORC-12-850	LORC-16-850
QUIET	1 1/8"	5/8"	3	LNQ-S01-A006-10	LNQ-S01-A006-10	LNX-S01-A006-10
DCA 4100Y / DCA 4100YWH						
STANDARD	1 1/8"	5/8"	1	LORC-10	LORC-12	LORC-16
STANDARD	1 1/8"	5/8"	3	LNX-S01-A008-10	LNX-S01-A008-10	LNX-S01-A008-10
QUIET	1 1/8"	5/8"	1	LORC-12-850	LORC-14-850	LORC-21-850
QUIET	1 1/8"	5/8"	3	LNQ-S01-A006-10	LNX-S01-A008-10	LNX-S01-A008-10

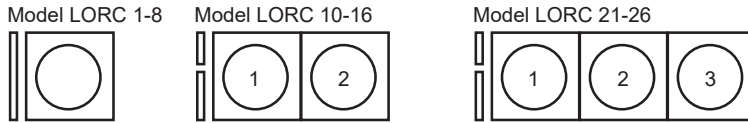
**LORC, LNH, LNL, LNQ AND LNX SERIES
OUTDOOR AIR-COOLED CONDENSERS**

CONDENSER SELECTION GUIDE

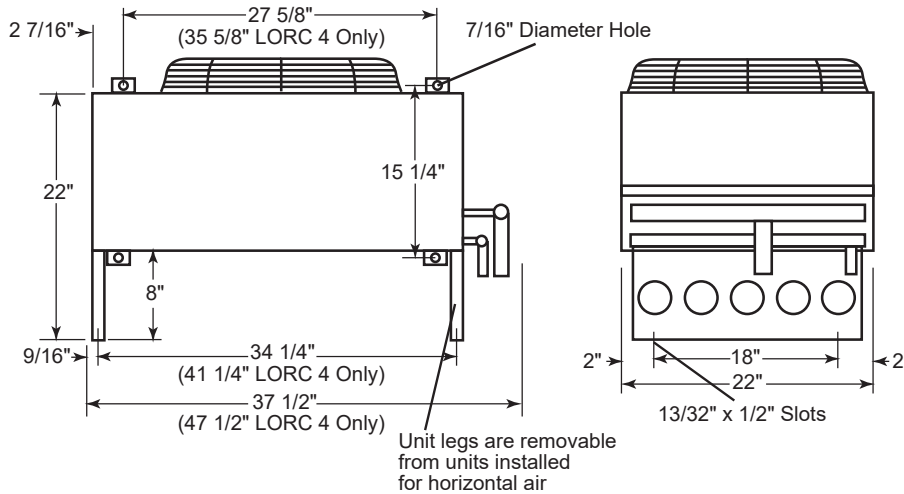
DCA MODEL NUMBER	LINE SIZE (O.D.)		PHASE	AMBIENT MODEL		
	SUPPLY	RETURN		95°F	100°F	105°F
DCA 4800Y / DCA 4800YWH						
STANDARD	1 1/8"	3/4"	1	LORC-12	LORC-14	LORC-21
STANDARD	1 1/8"	3/4"	3	LNX-S01-A008-10	LNX-S01-A008-10	LNH-S01-A009-10
QUIET	1 1/8"	3/4"	1	LORC-14-850	LORC-21-850	LORC-21-850
QUIET	1 1/8"	3/4"	3	LNX-S01-A008-10	LNX-S01-A008-10	LNX-S02-A010-10
DCA 5500Y / DCA 5500YWH						
STANDARD	1 1/8"	7/8"	1	LORC-14	LORC-16	LORC-21
STANDARD	1 1/8"	7/8"	3	LNX-S01-A008-10	LNX-S01-A008-10	LNX-S02-A010-10
QUIET	1 1/8"	7/8"	1	LORC-16-850	LORC-21-850	LORC-23-850
QUIET	1 1/8"	7/8"	3	LNX-S01-A008-10	LNX-S01-A008-10	LNX-S02-A010-10
DCA 6500Y / DCA 6500YWH						
STANDARD	1 1/8"	7/8"	1	LORC-16	LORC-21	LORC-23
STANDARD	1 1/8"	7/8"	3	LNX-S01-A008-10	LNH-S01-A009-10	LNH-S02-A011-10
QUIET	1 1/8"	7/8"	1	LORC-21-850	LORC-21-850	LORC-26-850
QUIET	1 1/8"	7/8"	3	LNX-S01-A008-10	LNX-S02-A010-10	LNX-S02-A013-10
DCA 7000Y / DCA 7000YWH						
STANDARD	1 3/8"	7/8"	1	LORC-21	LORC-21	LORC-26
STANDARD	1 3/8"	7/8"	3	LNH-S01-A009-10	LNX-S02-A010-10	LNX-S02-A013-10
QUIET	1 3/8"	7/8"	1	LORC-21-850	LORC-26-850	N/A
QUIET	1 3/8"	7/8"	3	LNX-S02-A010-10	LNX-S02-A010-10	LNX-S02-A013-10
DCA 8000Y						
STANDARD	(2) 1 1/8"	(2) 5/8"	1	LORC-21	LORC-26	N/A
STANDARD	(2) 1 1/8"	(2) 5/8"	3	LNX-S02-A010-10	LNX-S02-A013-10	LNH-S02-A015-10
QUIET	(2) 1 1/8"	(2) 5/8"	1	LORC-26-850	N/A	N/A
QUIET	(2) 1 1/8"	(2) 5/8"	3	LNX-S02-A010-10	LNX-S02-A013-10	LNX-S02-A015-10
DCA 9000Y						
STANDARD	(2) 1 1/8"	(2) 3/4"	1	LORC-26	N/A	N/A
STANDARD	(2) 1 1/8"	(2) 3/4"	3	LNX-S02-A013-10	LNH-S02-A015-10	LNH-S02-A017-10
QUIET	(2) 1 1/8"	(2) 3/4"	1	N/A	N/A	N/A
QUIET	(2) 1 1/8"	(2) 3/4"	3	LNX-S02-A013-10	LNX-S02-A015-10	LNX-S03-A020-10
DCA 11000Y						
STANDARD	(2) 1 1/8"	(2) 7/8"	1	LORC-26	N/A	N/A
STANDARD	(2) 1 1/8"	(2) 7/8"	3	LNX-S02-A013-10	LNH-S02-A017-10	LNL-S03-A021-10
QUIET	(2) 1 1/8"	(2) 7/8"	1	N/A	N/A	N/A
QUIET	(2) 1 1/8"	(2) 7/8"	3	LNX-S02-A013-10	LNL-S03-A021-10	LNX-S03-A020-10
DCA 14000Y						
STANDARD	(2) 1 3/8"	(2) 7/8"	1	N/A	N/A	N/A
STANDARD	(2) 1 3/8"	(2) 7/8"	3	LNH-S02-A017-10	LNL-S03-A021-10	LNL-S03-A024-10
QUIET	(2) 1 3/8"	(2) 7/8"	1	N/A	N/A	N/A
QUIET	(2) 1 3/8"	(2) 7/8"	3	LNX-S03-A020-10	LNX-S03-A023-10	LNL-S03-A024-10

CONDENSER DIMENSIONS

General Fan Layouts



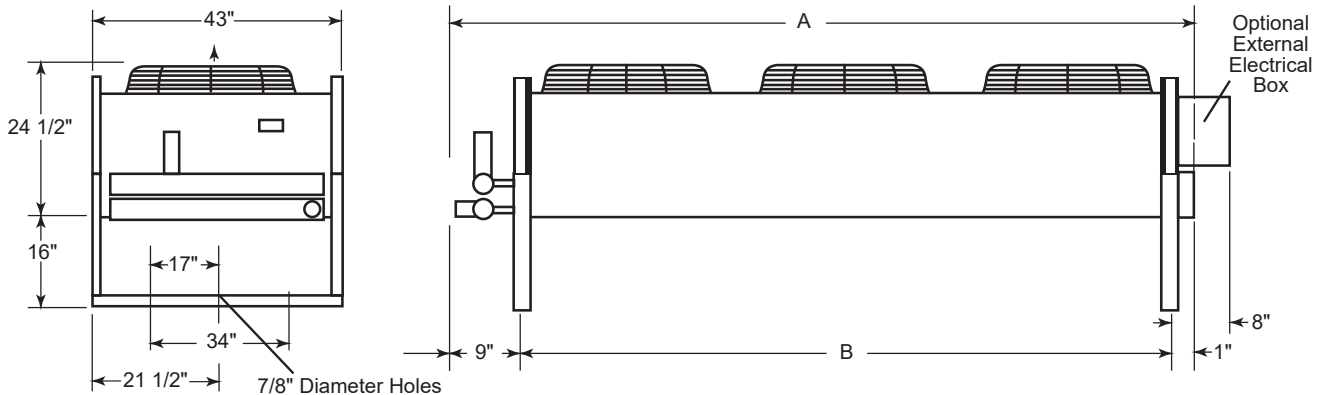
Dimensions for models LORC 1-4



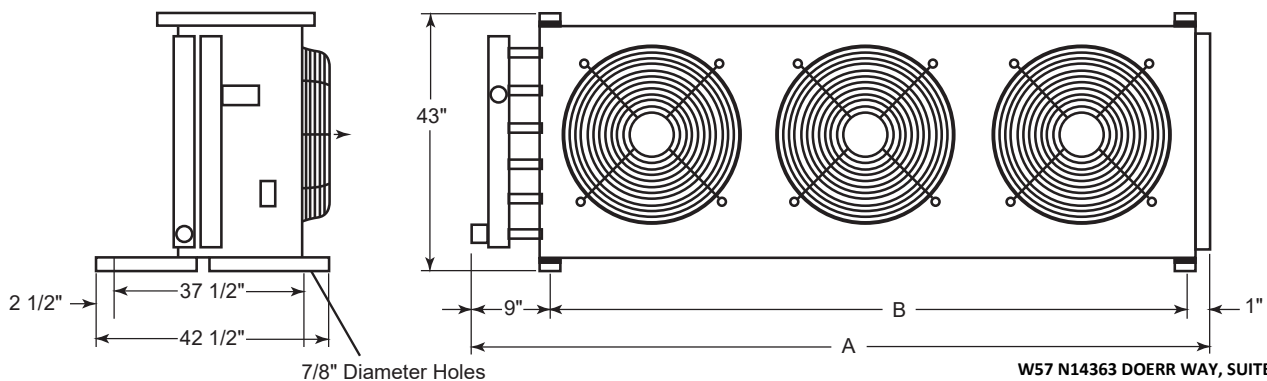
DIMENSIONS		
LORC	A	B
5	40	30
8	50	40
10	70	60
12	70	60
14	90	80
16	90	80
21	130	120
23	130	120
26	130	120

Electrical junction box is located on header end of units unless optional FAN CYCLING is ordered on 230 and 460 volt, in which case three phase units electrical box is located on unit end opposite header end.

Dimensions for models LORC 5-26 Vertical Airflow



Dimensions for models LORC 5-26 Horizontal Airflow

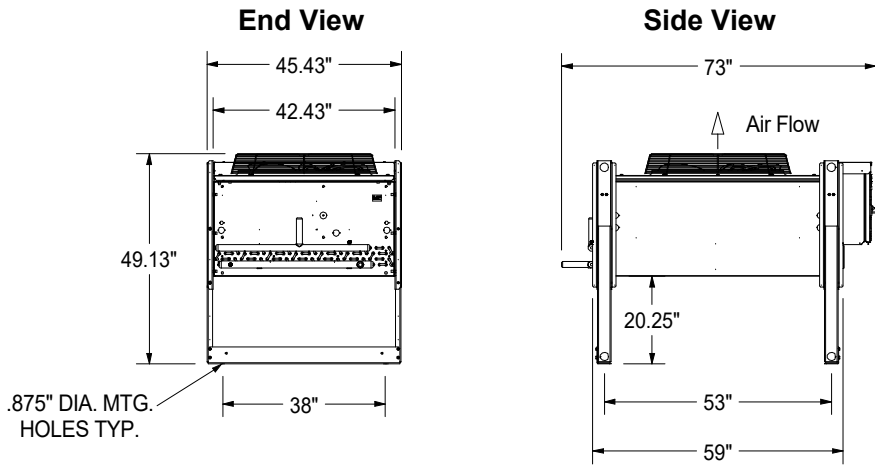


W57 N14363 DOERR WAY, SUITE 6
P.O. BOX 917
CEDARBURG, WI 53012
PHONE: 262-377-7501
E-MAIL: info@dehumidifiercorp.com

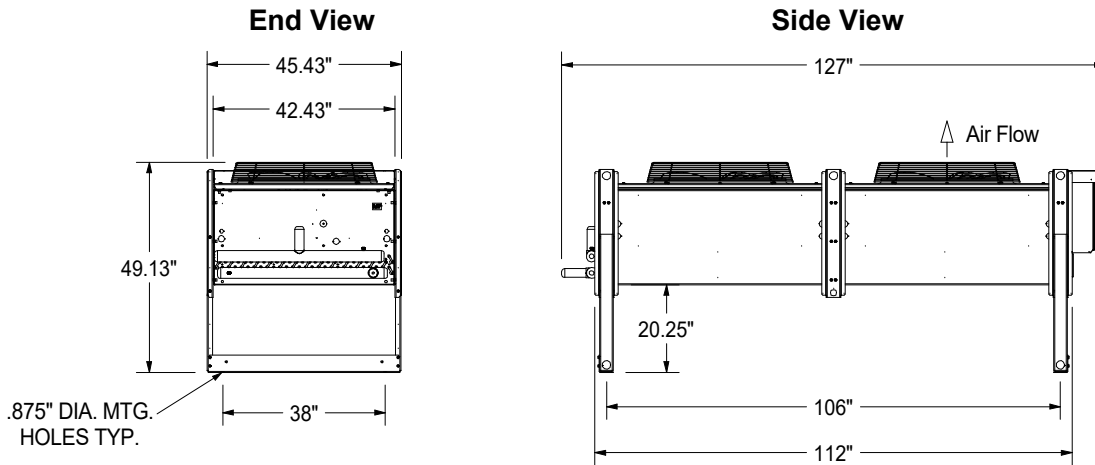
**LORC, LNH, LNL, LNQ AND LNX SERIES
OUTDOOR AIR-COOLED CONDENSERS**

CONDENSER DIMENSIONS CONTINUED

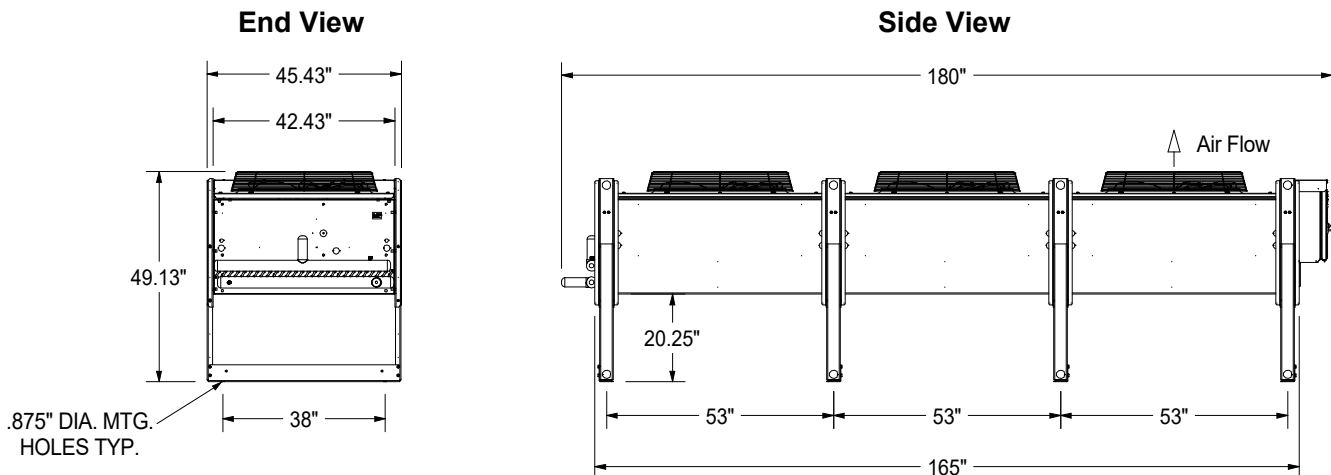
Dimensions for all LNH, LNL, LNQ & LNX models with one fan



Dimensions for all LNH, LNL, LNQ & LNX models with two fans



Dimensions for all LNH, LNL, LNQ & LNX models with three fans



Note: Double row of fans available upon request.