

EDH AND EDHS SERIES ELECTRIC DUCT HEATERS

DCA (EDH and EDHS series) electric duct heaters are engineered to provide additional room heating for all DCA dehumidification systems. These heaters provide an economical means to provide supplemental room heating.

The duct heater shown on the right is for direct mounting only and not downstream applications. Slip-in (EDHS) duct heater applications are available. They are shipped unattached for on-site installation. A single high voltage power source, separate from the dehumidifier connection, and a low voltage connection are all that is required - allowing for an easy installation.

Every heater is shipped complete with air flow pressure switches, high limit controls and fuse blocks. The optional two-stage thermostat ties in with the 24-volt circuitry of any DCA dehumidifier. DCA also offers a



complete line of gas fired in-line duct furnaces where these units may be desired.

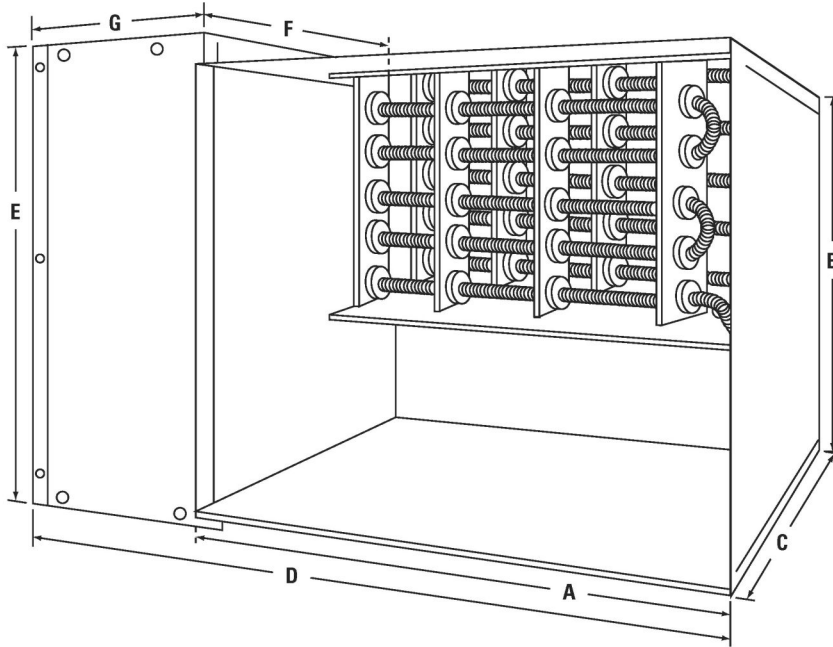
All DCA electric duct heaters carry a one-year parts warranty.

STANDARD DCA FEATURES

- **MAGNETIC CONTACTORS**
- **AUTOMATIC HIGH LIMIT SWITCH**
- **AIRFLOW PRESSURE SWITCH**
- **24V TRANSFORMER**
- **PILOT RELAY**
- **STAGING AS REQUIRED FOR EACH 47 AMP CIRCUIT**
- **TIME DELAY BETWEEN STAGES**
- **SINGLE POINT POWER CONNECTION TO TERMINAL BLOCK**
- **LOW VOLTAGE TERMINAL STRIP**
- **GROUNDING LUG**
- **WELDING CONSTRUCTION USING 20 MSG GALVANIZED STEEL**
- **HINGED COVER**
- **WIRING DIAGRAM**
- **FUSED CIRCUITS PER N.E.C., U.L. AND CSA**
- **ETL LISTED (BUILD TO CONFORM TO U.L. AND N.E.C. REQUIREMENTS)**
- **STRAIGHT FLANGE TO FIT UNIT DISCHARGE**
- **GRADE AA CHROMEL CORROSION-RESISTANT ELEMENT***
- **SLIP IN DUCT HEATERS AVAILABLE**
- **DOWNFLOW DUCT HEATERS AVAILABLE (IN EDHS ONLY)**
- **SLIP-IN DUCT, FINNED TUBULAR HEATERS ALSO AVAILABLE - CONTACT FACTORY**

* For use with corrosive environments such as indoor swimming pool enclosures, chemical plants and water/wastewater treatment facilities.

**BLOWER MOUNTED HEATERS FOR HORIZONTAL DEHUMIDIFIERS ONLY
HORIZONTAL AND UPFLOW APPLICATIONS ONLY;
(CONSULT FACTORY FOR DOWNFLOW APPLICATIONS AND OPTIONS
FOR VERTICAL DEHUMIDIFIERS)**



DEHUMIDIFIER MODEL #	DUCT HEATER MODEL	ADD ON ELECTRIC HEAT CAPACITY		BLOWER OUTLET CONNECTION WxH (inches)	DIMENSIONS IN INCHES ⁴						
		KW	BTUH		A	B	C	D	E	F	G
DCA 650 ¹	EDH0650	4	13,656	9.25" x 10.25"	9.25"	10.5"	16"	21.25"	12.5"	13"	12"
DCA 900	EDH0900	7	23,898	13.25" x 11.375"	13.375"	11.375"	16"	25.375"	13.375"	13"	12"
DCA 1500	EDH1500	13	44,382	13.25" x 11.375"	13.375"	11.375"	16"	25.375"	13.375"	13"	12"
DCA 2000	EDH2000	15	51,210	15.625" x 13.5"	15.75"	13.625"	16"	27.75"	15.625"	13"	12"
DCA 2500	EDH2500	20	68,280	15.625" x 13.5"	15.75"	13.625"	16"	27.75"	15.625"	13"	12"
DCA 3000 ¹	EDH3000	20	68,280	18.625" x 16"	18.75"	16.125"	16"	30.75"	18.125"	13"	12"
DCA 3000	EDH3000	30	102,420	18.625" x 16"	18.75"	16.125"	16"	30.75"	18.125"	13"	12"
DCA 3300 ^{1 2}	EDH3300	20	68,280	18.625" x 16"	18.75"	16.125"	16"	30.75"	18.125"	13"	12"
DCA 3300	EDH3300	30	102,420	18.625" x 16"	18.75"	16.125"	16"	30.75"	18.125"	13"	12"
DCA 3500 ^{1 3}	EDH3500	20	68,280	18.625" x 16"	18.75"	16.125"	16"	30.75"	18.125"	13"	12"
DCA 3600	EDH3600	30	102,420	18.625" x 16"	18.75"	16.125"	16"	30.75"	18.125"	13"	12"
DCA 4100	EDH4100	40	136,560	18.625" x 16"	18.75"	16.125"	16"	30.75"	18.125"	13"	12"
DCA 4400 ¹	EDH4400	20	68,280	18.625" x 16"	18.75"	16.125"	16"	30.75"	18.125"	13"	12"
DCA 4800	EDH4800	40	136,560	18.625" x 16"	18.75"	16.125"	16"	30.75"	18.125"	13"	12"
DCA 5500	EDH5500	50	170,700	18.625" x 16"	18.75"	16.125"	16"	30.75"	18.125"	13"	12"

Above specifications for all horizontal DCA 407C and 410A series Air-Cooled Non Water Heating and Water Heating Assist Dehumidifiers, unless otherwise specified by the notes below. Control voltage for above 24V. Above duct heaters can be ordered with less kW than listed, for each model if needed

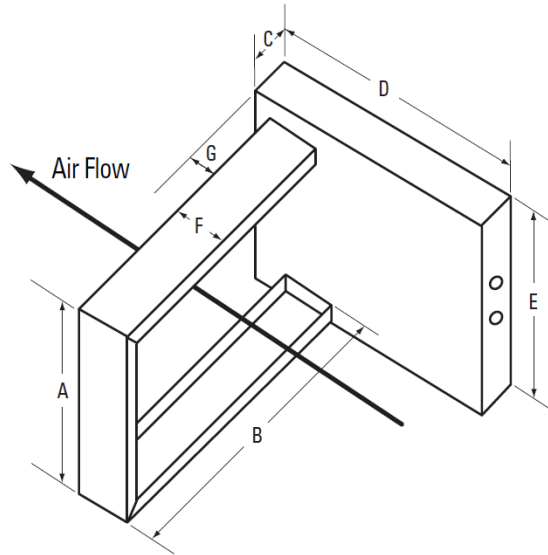
¹ Single phase models only

² 410A models only

³ 407C models only

⁴ All dimensions are the same for each model whether model is 230V-1ph, 208V/230V/460V-3ph

SLIP-IN HEATERS (FOR HORIZONTAL AND VERTICAL DEHUMIDIFIERS)



DEHUMIDIFIER MODEL #	DUCT HEATER MODEL	ADD ON ELECTRIC HEAT CAPACITY		DUCT DIMENSIONS WxH (inches)	SUPPLY VOLTAGE	PHASE	DIMENSIONS IN INCHES						
		KW	BTUH				A	B	C	D	E	F	G
DCA 650 ¹	EDHS0650	4	13,656	7" x 12"	230	1	10"	6"	5.5"	24"	12"	6"	1"
DCA 900	EDHS0900	7	23,898	14" x 11"	230	1	10"	13"	5.5"	20"	11"	6"	1"
					208	3	10"	13"	5.5"	20"	11"	6"	1"
					460	3	10"	13"	5.5"	20"	11"	6"	1"
DCA 1500	EDHS1500	13	44,382	14" x 14"	230	1	12"	13"	5.5"	26"	14"	6"	1"
					208	3	12"	13"	5.5"	24"	14"	6"	1"
					460	3	12"	13"	5.5"	24"	14"	6"	1"
DCA 2000	EDHS2000	15	51,210	21.5" x 15"	230	1	13.06"	20.5"	5.5"	24"	15"	6"	1"
					208	3	13.06"	20.5"	5.5"	18"	15"	6"	1"
					460	3	13.06"	20.5"	5.5"	18"	15"	6"	1"
DCA 2500	EDHS2500	20	68,280	21" x 16"	230	1	14.13"	20"	5.5"	20"	16"	6"	1"
					208	3	14.13"	20"	5.5"	24"	16"	6"	1"
					460	3	14.13"	20"	5.5"	18"	16"	6"	1"
DCA 3000 ¹	EDHS3000	20	68,280	22" x 18"	230	1	16"	21"	5.5"	24"	18"	6"	1"
DCA 3000	EDHS3000	30	102,420	22" x 18"	208	3	16"	21"	5.5"	24"	18"	6"	1"
					460	3	16"	21"	5.5"	18"	18"	6"	1"
DCA 3300 ^{1 2}	EDHS3300	20	68,280	25" x 18"	230	1	16"	24"	5.5"	24"	18"	6"	1"
DCA 3300	EDHS3300	30	102,420	25" x 18"	208	3	16"	24"	5.5"	24"	18"	6"	1"
					460	3	16"	24"	5.5"	18"	18"	6"	1"
DCA 3500 ^{1 3}	EDHS3500	20	68,280	25" x 18"	230	1	16"	24"	5.5"	24"	18"	6"	1"
DCA 3600	EDHS3600	30	102,420	25" x 18"	208	3	16"	24"	5.5"	24"	18"	6"	1"
					460	3	16"	24"	5.5"	18"	18"	6"	1"
DCA 4100	EDHS4100	40	136,560	24" x 18"	208	3	16"	23"	5.5"	30"	18"	6"	1"
					460	3	16"	23"	5.5"	28"	18"	6"	1"

Above specifications for all horizontal and vertical DCA 407C and 410A series Air-Cooled Non Water Heating and Water Heating Assist Dehumidifiers, unless otherwise specified by the notes below. Control voltage for above 24V. Above duct heaters can be ordered with less kW than listed, for each model if needed

¹ Single phase models only

² 410A models only

³ 407C models only

SLIP-IN HEATERS CONTINUOUS

DEHUMIDIFIER MODEL #	DUCT HEATER MODEL	ADD ON ELECTRIC HEAT CAPACITY		DUCT DIMENSIONS WxH (inches)	SUPPLY VOLTAGE	PHASE	DIMENSIONS IN INCHES						
		KW	BTUH				A	B	C	D	E	F	G
DCA 4400 ¹	EDHS4400	20	68,280	25.5" x 19"	230	1	17.06"	24.5"	5.5"	30"	19"	6"	1"
DCA 4800	EDHS4800	40	136,560	28" x 19"	208	3	17.06"	27"	5.5"	30"	19"	6"	1"
					460	3	17.06"	27"	5.5"	24"	19"	6"	1"
DCA 5500	EDHS5500	50	170,700	29" x 22"	208	3	20"	28"	5.5"	30"	22"	6"	1"
					460	3	20"	28"	5.5"	20"	22"	6"	1"
DCA 6500 ²	EDHS6500	50	170,700	36" x 24"	208	3	22.5"	35"	5.5"	28"	24"	6"	1"
					460	3	22.5"	35"	5.5"	18"	24"	6"	1"
DCA 7000	EDHS7000	50	170,700	36" x 24"	208	3	22.5"	35"	5.5"	28"	24"	6"	1"
					460	3	22.5"	35"	5.5"	18"	24"	6"	1"
DCA 8000	EDHS8000	65	221,919	40" x 26"	208	3	24.13"	39"	5.5"	30"	26"	6"	1"
					460	3	24.13"	39"	5.5"	24"	26"	6"	1"
DCA 9000	EDHS9000	75	256,060	41" x 28"	208	3	26"	40"	5.5"	30"	28"	6"	1"
					460	3	26"	40"	5.5"	20"	28"	6"	1"
DCA 11000	EDHS11000	90	307,272	46" x 30"	208	3	28.38"	45"	5.5"	30"	30"	6"	1"
					460	3	28.38"	45"	5.5"	20"	30"	6"	1"
DCA 14000	EDHS14000	110	375,555	50" x 34"	208	3	33"	49"	5.5"	34"	34"	6"	1"
					460	3	33"	49"	5.5"	24"	34"	6"	1"

CURRENT DRAW, MCA AND MOCP

DEHUMIDIFIER MODEL #	KW	CURRENT DRAW (AMPS)											
		230/1			208/3			230/3			460/3		
		FLA	MCA	MOCP	FLA	MCA	MOCP	FLA	MCA	MOCP	FLA	MCA	MOCP
DCA 650 ¹	4	17.39	21.74	26.09	NA	NA	NA	NA	NA	NA	NA	NA	NA
DCA 900	7	30.43	38.04	45.65	19.43	24.29	29.15	17.57	21.97	26.36	8.79	10.98	13.18
DCA 1500	13	56.52	70.65	84.78	36.09	45.11	54.13	32.63	40.79	48.95	16.32	20.40	24.48
DCA 2000	15	65.22	81.52	97.83	41.64	52.05	62.46	37.65	47.07	56.48	18.83	23.53	28.24
DCA 2500	20	86.96	108.7	130.43	55.52	69.40	83.27	50.21	62.76	75.31	25.10	31.38	37.65
DCA 3000 ¹	20	86.96	108.7	130.43	NA	NA	NA	NA	NA	NA	NA	NA	NA
DCA 3000	30	NA	NA	NA	83.27	104.29	124.91	75.31	94.14	112.96	37.65	47.07	56.48
DCA 3300 ^{1 2}	20	86.96	108.7	130.43	NA	NA	NA	NA	NA	NA	NA	NA	NA
DCA 3300	30	NA	NA	NA	83.27	104.29	124.91	75.31	94.14	112.96	37.65	47.07	56.48
DCA 3500 ^{1 3}	20	86.96	108.7	130.43	NA	NA	NA	NA	NA	NA	NA	NA	NA
DCA 3600	30	NA	NA	NA	83.27	104.29	124.91	75.31	94.14	112.96	37.65	47.07	56.48
DCA 4100	40	NA	NA	NA	111.03	138.79	166.55	100.41	125.51	150.62	50.21	62.76	75.31
DCA 4400 ¹	20	86.96	108.7	130.43	NA	NA	NA	NA	NA	NA	NA	NA	NA
DCA 4800	40	NA	NA	NA	111.03	138.79	166.55	100.41	125.51	150.62	50.21	62.76	75.31
DCA 5500	50	NA	NA	NA	138.79	173.49	208.19	125.51	156.89	188.27	62.76	78.45	94.14
DCA 6500 ²	50	NA	NA	NA	138.79	173.49	208.19	125.51	156.89	188.27	62.76	78.45	94.14
DCA 7000	50	NA	NA	NA	138.79	173.49	208.19	125.51	156.89	188.27	62.76	78.45	94.14
DCA 8000	65	NA	NA	NA	180.43	225.53	270.64	163.17	203.96	244.75	81.58	101.98	122.38
DCA 9000	75	NA	NA	NA	208.19	260.23	312.28	188.27	235.34	282.41	94.14	117.67	141.20
DCA 11000	90	NA	NA	NA	249.82	312.28	374.73	225.93	282.41	338.89	112.96	141.20	169.44
DCA 14000	110	NA	NA	NA	305.34	381.67	458.01	276.13	345.17	414.2	138.07	172.58	207.10

Above specifications for all horizontal and vertical DCA 407C and 410A series Air-Cooled Non Water Heating and Water Heating Assist Dehumidifiers, unless otherwise specified by the notes below. Control voltage for above 24V. Above duct heaters can be ordered with less kW than listed, for each model if needed

¹ Single phase models only

² 410A models only

³ 407C models only